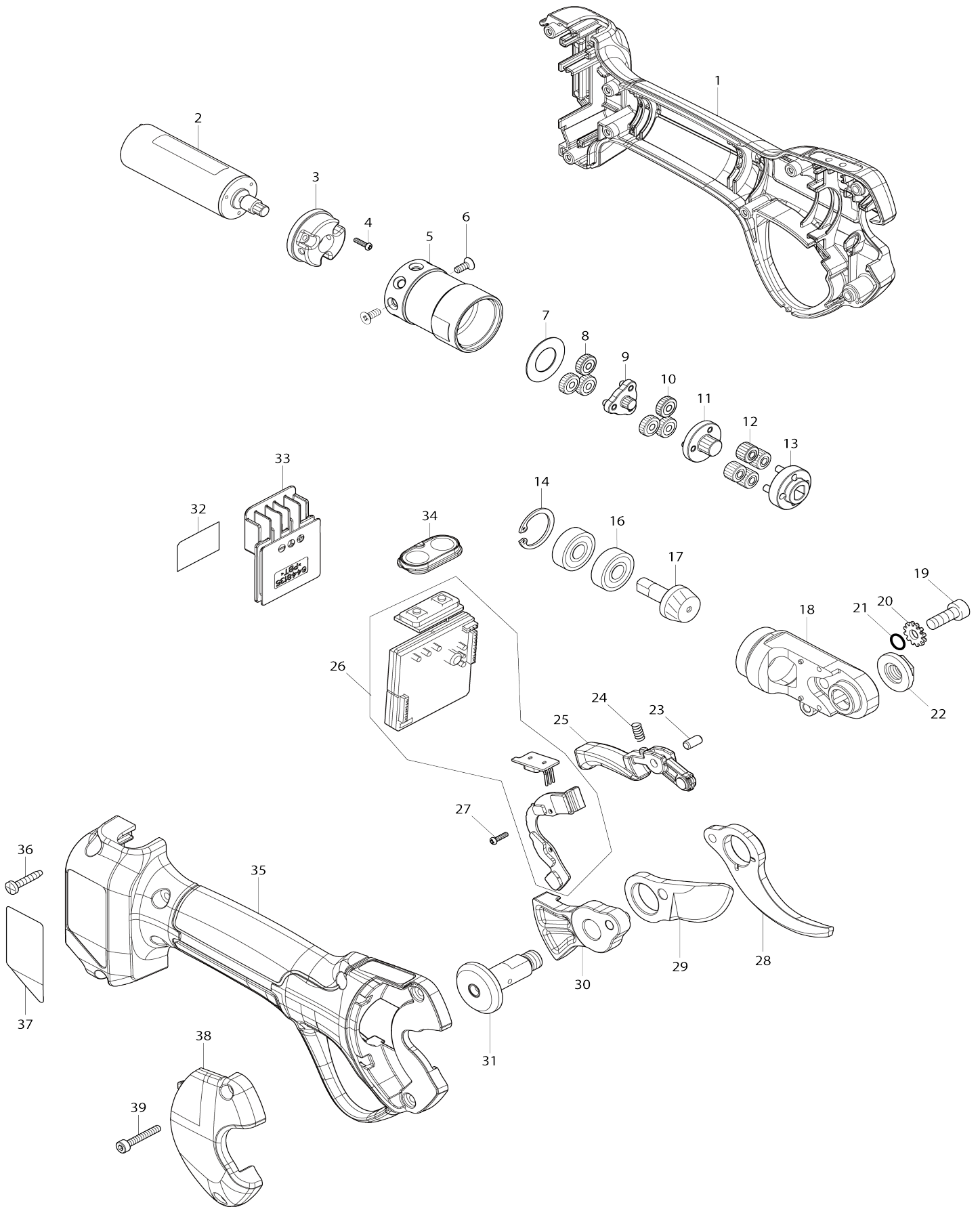


Model No.UP100D CORDLESS PRUNING SHEARS



Model No.UP100D CORDLESS PRUNING SHEARS

Item No.	Parts No.	Description	Interchangeability	Q'ty	New/Old	Note1	Note2
001	183Y33-1	HOUSING SET		1			
C10	8065E6-9	INDICATION LABEL		1			
C20	8065E7-7	INDICATION LABEL		1			
D10		INC. 35					
002	629C07-1	DC MOTOR		1			
003	312D98-2	MOTOR HOLDER		1			
004	265D05-3	PAN HEAD SCREW M2X8		3			
005	227A61-3	INTERNAL GEAR 43		1			
006	912007-3	C.H.SCREW M3X8		2			
007	253084-9	FLAT WASHER 12		1			
008	227A64-7	SPUR GEAR 17		3			
009	162C36-6	SPUR GEAR 8 B COMPLETE		1			
010	227A64-7	SPUR GEAR 17		3			
011	162C37-4	SPUR GEAR 13 COMPLETE		1			
012	227A63-9	SPUR GEAR 14		4			
013	162C31-6	SUPPORTER COMPLETE		1			
014	962059-4	RETAINING RING (INT) R-19		1			
016	210017-7	BALL BEARING 607DDW		2			
017	227A60-5	ZEROL BEVEL GEAR 9		1			
018	327B57-1	GEAR HOUSING		1			
019	922217-4	HEX. SOCKET HEAD BOLT M5X14		1			
020	253578-4	LOCK PLATE		1			
021	213021-5	O RING 5		1			
022	252321-8	HEX. NUT M8		1			
023	256251-5	PIN 4		1			
024	233033-2	COMPRESSION SPRING 4		1			
025	162C32-4	TRIGGER COMPLETE		1			
026	620K67-4	CONTROLLER		1	*		
026-1	620N17-7	CONTROLLER	<	1			
027	265D05-3	PAN HEAD SCREW M2X8		2			
028	1911W1-7	SHEAR BLADE L SET		1			
029	1911W2-5	SHEAR BLADE U SET		1			
030	162C33-2	BLADE HOLDER COMPLETE		1			
031	162C35-8	SHOULDER SCREW M8 COMPLETE		1			
032	8586G2-3	UP100D SERIAL NO. LABEL		1			
033	644813-5	TERMINAL		1			
034	162C34-0	SWITCH PLATE COMPLETE		1			
C10	8065E5-1	SWITCH LABEL		1			
035	183Y33-1	HOUSING SET		1			
C10	8065E6-9	INDICATION LABEL		1			
C20	8065E7-7	INDICATION LABEL		1			
D10		INC. 1					
036	266130-9	TAPPING SCREW BIND PT 3X16		6			
037	8586U1-3	UP100D NAME PLATE		1			
038	162C42-1	HOUSING COVER COMPLETE		1			
C10	8065E8-5	CAUTION LABEL		1			
039	265633-0	HEX SOCKET HEAD BOLT M3X20		2			

A01	782212-4	SOCKET WRENCH 13		1		
A02	783202-0	HEX. WRENCH 4		1		
A03	783208-8	HEX. WRENCH 2.5		1		
A04	162C23-5	HOLSTER		1		
A05	1912E4-1	DRESSER STONE SET		1		
A06	182470-6	OIL SUPPLY		1		
A08	***DC10SB	DC10SB BATTERY CHARGER		1		
D10		COMPO-PARTS				
A09	197406-2	BATTERY BL1041B SET		1		
A10	8066L1-4	UP100DSMJ INDICATION LABEL		1		
A11	8066L2-2	UP100DSMJ PLASTIC CASE LABEL		2		
A12	821550-0	CONNECTOR PLASTIC CASE (TYPE2)		1		
C10	453974-8	LATCH		4		
A13	8357T7-7	INNER TRAY		1		

Please state Parts No. when your order.

Print Date 05/24/2024